



# NU-CRUSH SC

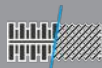
## NU-CRUSH SC



Mechanical & Abrasion Protection  
Impact & Crash Resistance



Self-Closing Sleeving



Woven



High tenacity polyester



Standard: Black, orange  
Option: Other colors upon request.



Low: -40°C (-40°F)  
High: 150°C (302°F)



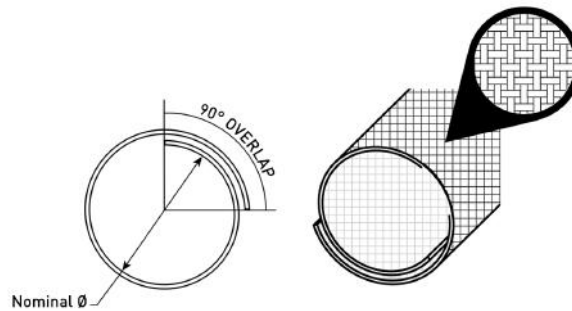
High cut-through resistance  
Short-circuit protection

## PHYSICAL PROPERTIES

| Physical properties           | Spec  | Value              |
|-------------------------------|---|--------------------|
| Long term aging (3000h/150°C) | -   | pass               |
| Short term aging (240h/175°C) | -   | pass               |
| Abrasion resistance           | GMW 14327;  | category 8         |
|                               | MBN LV 312-3,<br>VW 60360-3,                            | class G            |
|                               | GS 95008-3-3;<br>PSA 96 458 709 99                      | class 5            |
| Drop test                     | MBN LV 312-3,<br>VW 60360-3,                            | class E            |
|                               | GS 95008-3-3;<br>PSA 96 458 709 99                      | class E            |
| Flammability                  | FMVSS 302   | self-extinguishing |
| Chemical resistance           | Resists the majority of chemicals and automotive fluids |                    |

## DIMENSIONS

| Designation    | Nominal Ø (mm) |
|----------------|----------------|
| NU-CRUSH SC 07 | 7              |
| NU-CRUSH SC 10 | 10             |
| NU-CRUSH SC 13 | 13             |
| NU-CRUSH SC 16 | 16             |
| NU-CRUSH SC 19 | 19             |
| NU-CRUSH SC 22 | 22             |
| NU-CRUSH SC 25 | 25             |
| NU-CRUSH SC 28 | 28             |
| NU-CRUSH SC 30 | 30             |



## PACKAGING

Coils  
Cut lengths upon request